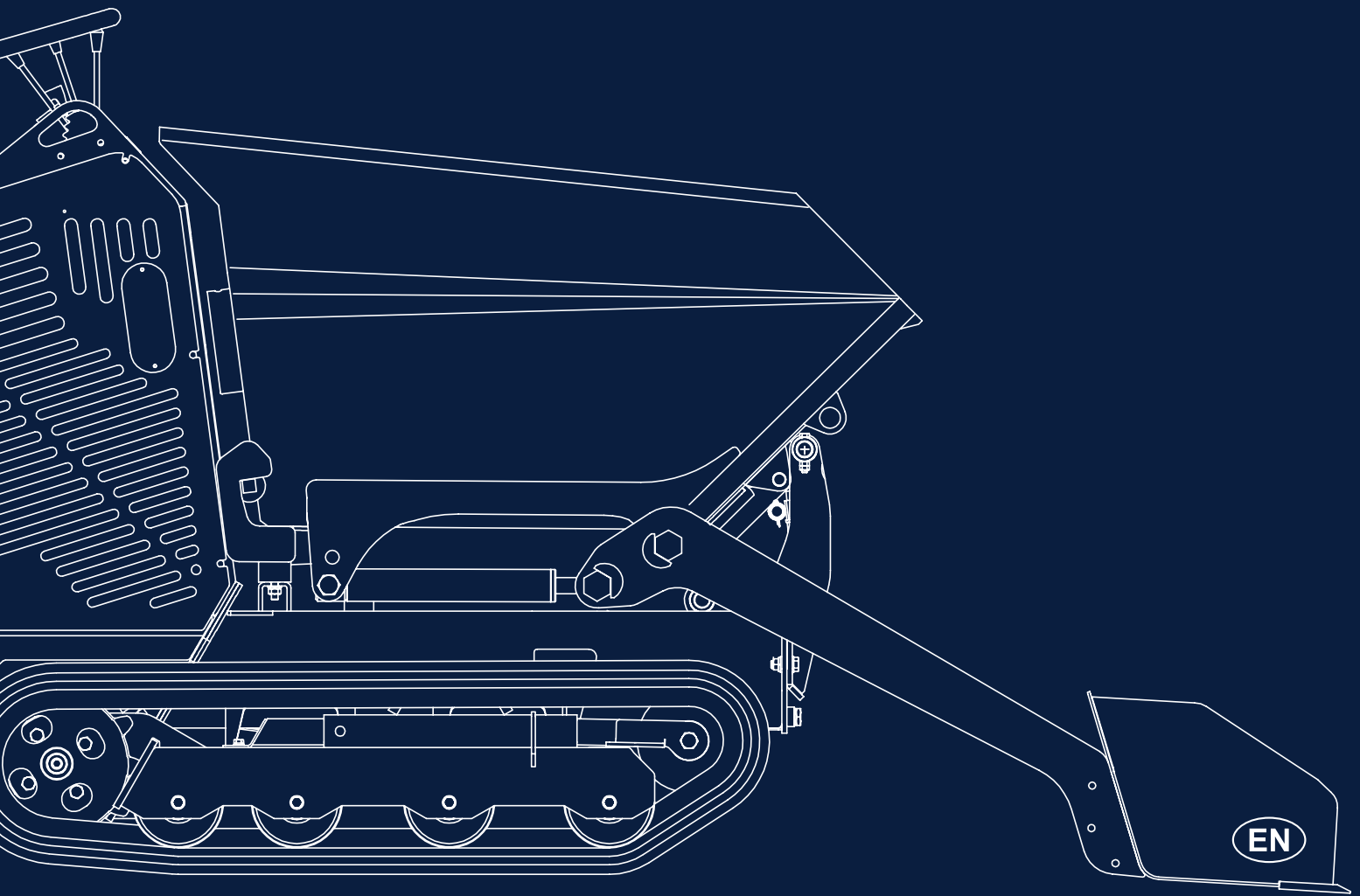


MINI-DUMPERS

400 / 2300 KG

CARRY105
CARRY107
CARRY107ht
CARRY108hf
CARRY110
CARRY150
CARRY230



CARRY105

AGILITY AND VERSATILITY

The new Carry 105 mini-dumper is a highly agile and versatile machine, designed to handle materials in warehouses and greenhouses and especially suitable for use in nurseries and agriculture.

Extremely compact dimensions and limited weight of 290 kg (with skip); guaranteed high-level performance



ENGINE

The Carry 105 mini-dumper has a Honda 4.7 kW rpm petrol engine with pull-cord starter.



SAFETY AND STANDARDS

The engine is a low noise version which meets established noise pollution standards. The engine is mounted on vibration dampers to significantly reduce the amount of vibration transmitted.



LIMITED WEIGHT

The Carry 105 is smallest mini-dumper in the range. Designed to satisfy all worksite requirements.



FULL ACCESSIBILITY

The amount of oil in the machine's hydraulic circuit is such to allow long intervals between servicing. All parts requiring inspection and servicing are easily accessible.



A SMALL, VERSATILE MACHINE

The Carry 105 can be equipped with a wide range of accessories to meet a various requirements: skip for construction, self-loading shovel, bed with opening sides. Replacing the equipment is quick and easy. The self-loading bucket kit is removable.



STCS TRACK TENSIONING

The innovative STCS (Self Tension Crawler System) track system ensures the rubber tracks are always perfectly tensioned, easily adjusted via a bolt on the lower carriage.

PARKING BRAKE

The manual parking brake prevents the drive from running by mechanically locking the LH wheel.



Loading bed with closed sides dim.
LxPxH 900 x 620 x 200 mm



TRAVELLING SPEED

The 690 mm undercarriage with large-size sprocket and 3 rollers on either side means that the Carry 105 is perfectly at home on all kinds of terrain, including steep gradients. The travel speed of 0- 2.5 km/h guarantees maximum operating capability and top grade performance. The triple fixed-displacement pump allows simultaneous linear travel and accessory movement.

TECHNICAL FEATURES

Engine	Honda GX200 petrol (4.7 kW / 3600 rpm)
Machine weight with skip	290 kg
Machine weight with skip with shovel	345 kg
Machine weight with bed with opening sides	305 kg
Basic machine weight	240 kg
Operating load	500 kg
Speed	0 / 2.5 km / h
Skip capacity	0.22 m ³
Loading bed (sides closed) dim. LxPxH	900 x 620 x 200 mm
Max allowed slope when empty <small>(guide with operator on the ground, where applicable)</small>	20° - 36% <small>(variable based on the configuration)</small>
Max allowed slope when loaded <small>(guide with operator on the ground, where applicable)</small>	11° - 20% <small>(variable based on the configuration)</small>

CARRY107

FAST, SAFE, TIRELESS

The Carry 107 mini-dumper is the ideal solution to transport and handle various types of materials on the worksite and in difficult to access locations.



The self-loading shovel can transfer all sorts of material, such as rubble, earth, and aggregate, into the skip quickly and safely, with minimum operator effort



ENGINE OPTIONS

The Carry107 is equipped with a Honda 6.3 or 8.7 kW petrol engine with recoil or electric start. There is also the option of a Yanmar 7.4 kW diesel engine, with electric start, for reduced fuel consumption and longer operating periods between refuelling stops. The Carry107 is equipped as standard with a hydraulic power take-off providing a flow rate of 14 litres/min. It can be used to use hydraulic tools and accessories like the concrete mixer kit. The engine is completely protected and enclosed between fixed side panels and a removable front bonnet.

TACKLES ANY SLOPE

Thanks to the large undercarriage, the large driving sprocket and 4 track rollers per side, the Carry107 is completely at ease on any terrain, including tough slopes, steps and ramps. Two travel speeds ensure maximum operating efficiency even on very large sites.



DESIGNED WITH THE OPERATOR IN MIND

The steering handle is mounted on dampers to reduce the vibration transmitted to the arms and upper body, ensuring total operator comfort. Even the structure of the spring-damping footplate prevents vibrations from being transmitted to the body. The footplate conveniently folds out of the way when the machine is operated from the ground to prevent accidental contact with the operator's legs. When the machine is driven with the operator on board, the footplate is automatically locked in the open position to protect it from being closed accidentally.



OPERATOR COMFORT

The reduced noise level enhances operator comfort and makes the machine suitable for use even in urban centres.

HONDA HOUR METER/REV COUNTER KIT

Easily installed, this kit enables the operator to view the engine rpm when the engine is running. When the engine is stopped, the hour meter is displayed.

SAFETY AND STANDARDS

All the engines have reduced noise emissions. The engine is mounted on vibration dampers to significantly reduce the amount of vibrations transmitted. Integral bonnet panels prevent accidental contact with hot engine parts.



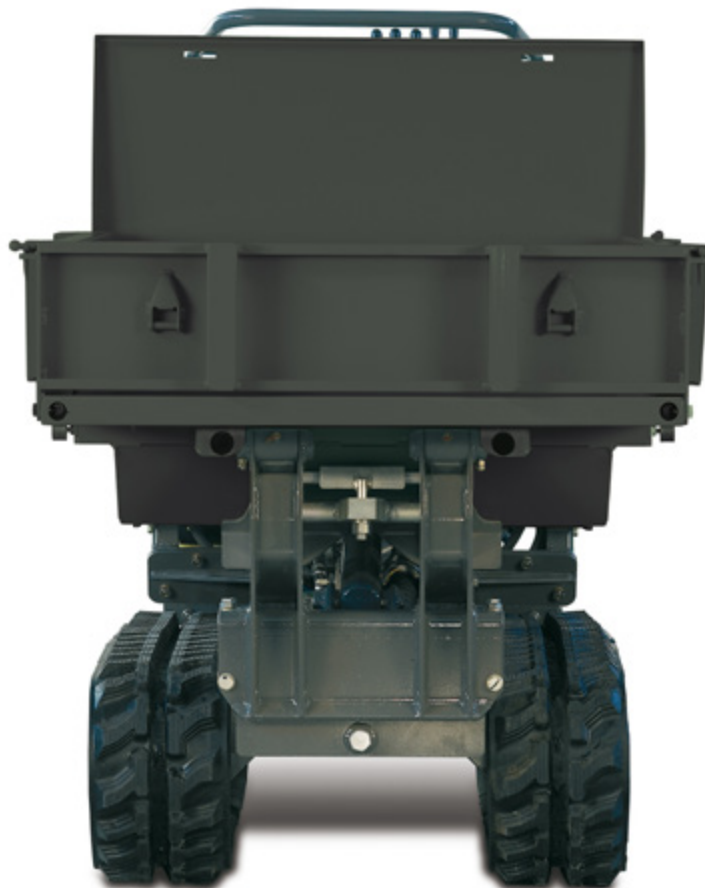
A VERSATILE MACHINE FOR ALL TYPES OF USE

The Carry107 can be equipped with a wide range of accessories to meet various requirements: skip for construction, self-loading shovel, bed with opening sides, concrete mixer kit and levelling blade. The equipment coupling/uncoupling system is quick and simple.



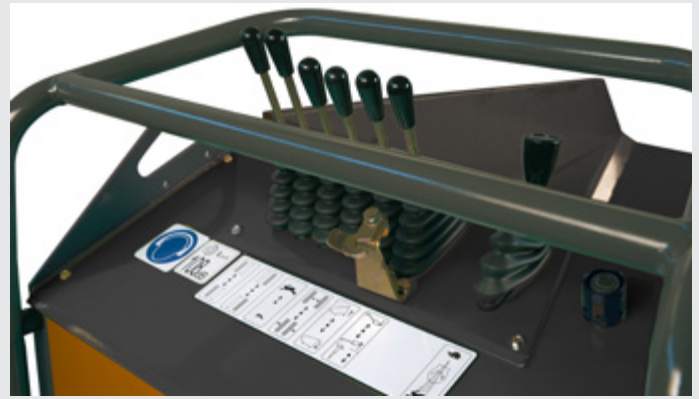
OPENING SIDES

The version with a bed
has a surface of
1240 x 1290 mm

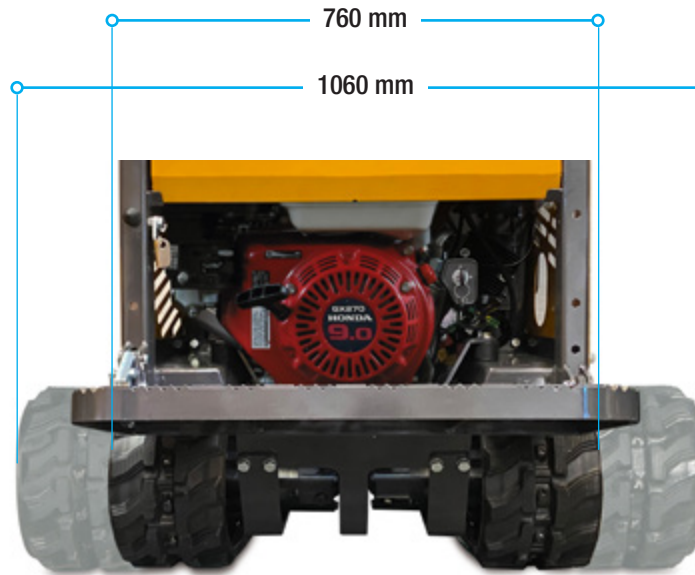


SIMPLE, INTUITIVE CONTROLS

The control console is simple and intuitive. The control lever protection bar is a convenient armrest for the operator, while the control levers are connected directly to the control valve to ensure an accurate, progressive response.



VARIABLE GAUGE



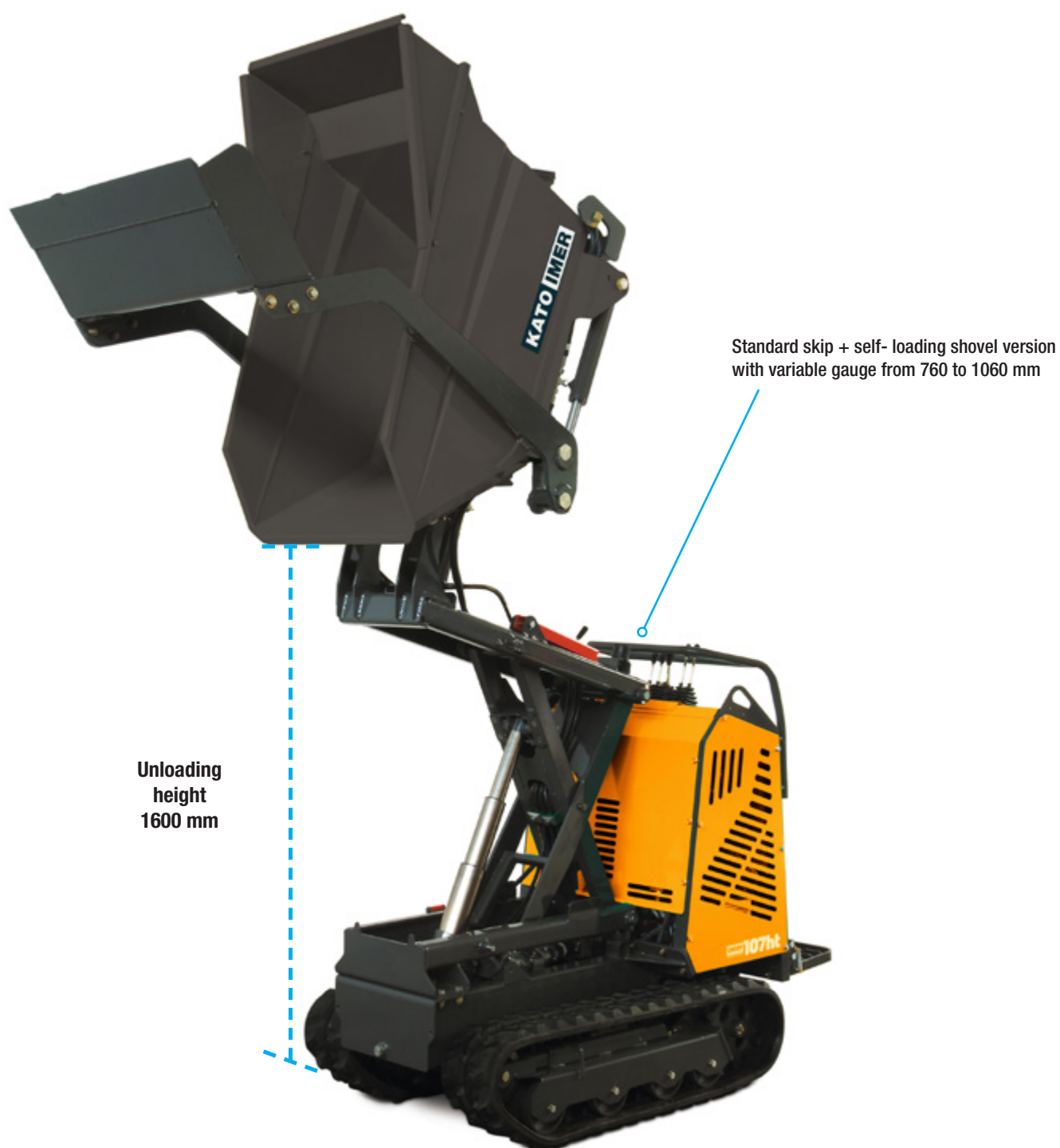
TECHNICAL FEATURES

Engine options	Honda GX270 petrol (6.3 kW / 3600 rpm) Honda GX270-AE petrol (6.3 kW / 3600 rpm) Honda GX390-AE petrol (8.7 kW / 3600 rpm) Yanmar L100V6-AE diesel (6.8 kW / 3600 rpm)
Machine weight with skip	495 kg (petrol)
Machine weight with skip and shovel	560 kg (petrol)
Machine weight with concrete mixer	550 kg (petrol)
Machine weight with concrete mixer and shovel	600 kg (petrol)
Machine weight with bed with opening sides	510 kg (petrol)
Operating load	700 kg
Speed	2.3 / 3.2 km / h
Gauge (hydraulic variable gauge)	760 / 1060 mm
Skip capacity	0.33 m ³
Max allowed slope when empty (guide with operator on the ground, where applicable)	20° - 36% (variable based on the configuration)
Max allowed slope when loaded (guide with operator on the ground, where applicable)	11° - 20% (variable based on the configuration)
Concrete mixer kit volume	250 / 190 L (total / yield)
Bed with opening sides dimensions	990 x 790 x 200 / 1240 x 1290 mm (closed sides / open sides)
Blade features	1250 mm / 30° (width / angle)
Applicable tools (Hi-Flow version)	demolition hammer, hydraulic drill, dirty water pump

CARRY107ht

EVEN MORE VERSATILE

The Carry 107ht is ideal for transporting and handling materials. The “hi-tip” kit helps empty the skip from above where desired, directly onto the lorry and into specific skips. The raised position of the skip makes the machine suitable for work on flat or moderately bumpy surfaces.



Standard skip + self-loading shovel version with variable gauge from 760 to 1060 mm

Unloading height
1600 mm

MINI-DUMPERS 400 / 2300 KG

VERSATILITY

The Carry 107ht mini-dumper in the standard skip + self-loading shovel version is particularly versatile when used by a single operator, who is able to quickly and effortlessly load and dump material directly onto transport vehicles.



TECHNICAL FEATURES

Engine options	Honda GX270 petrol (6.3 kW / 3600 rpm)
	Honda GX270-AE petrol (6.3 kW / 3600 rpm)
	Honda GX390-AE petrol (8.7 kW / 3600 rpm)
	Yanmar L100V6-AE diesel (6.8 kW / 3600 rpm)
Machine weight with skip	675 kg (petrol)
Machine weight with skip and shovel	740 kg (petrol)
Operating load	700 kg
Speed	2.3 / 3.2 km / h
Standard hydraulic variable gauge	760 / 1060 mm
Skip capacity	0.33 m ³
Max allowed slope when loaded <small>(guide with operator on the ground, where applicable)</small>	7° - 12% <small>(variable based on the configuration)</small>
Applicable tools (Hi-Flow version)	demolition hammer, hydraulic drill, dirty water pump

CARRY108hf

POWERFUL AND FUNCTIONAL

The new Carry 108hf fixed undercarriage model, with skip capacity increased to 800 kg, features 4 fixed displacement gear pumps, with the extra pump increasing travel speed to guarantee the utmost functionality; two auxiliary lines and float control of the attachment holder arm. The powerful "hi-flow" kit features a maximum flow rate of 28 l/min at 150 bar. The hydraulic oil flow makes it possible to fit new attachments such as the mulcher and Snow blowers.

SKIP
800 kg capacity, increased with respect to the Carry 107 mini-dumper

Attachment arm float control.
Used primarily on the ground

4 fixed displacement gear pumps: one more pump than the Carry 107 mini-dumper



HONDA GX390-AE 8.7 KW PETROL ENGINE

With a generous 800 kg load capacity, the Carry 108hf mini-dumper with self-loading skip is designed to facilitate loading of materials thanks to the self-loading bucket and is available with a Honda GX390 11 HP engine with electric starting and uprated alternator of sufficient size to power the radiator fan.

The engine and hydraulic circuit, with its four fixed displacement gear pumps, allow the use of powerful attachments while also guaranteeing fast operating speeds.

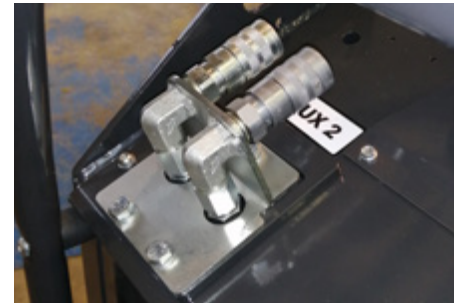
The engine is fully protected, enclosed by fixed side panels and a removable front bonnet.

COOLER

The cooler, available also as an optional, is particularly suitable for the use of hydraulic attachments that require an oil cooling stage, thus making it possible to work in extreme temperature conditions.

CONTROL CONSOLE FOR SUPERVISION OF ALL OPERATIONS

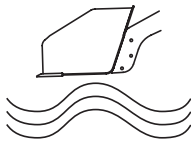
The uncluttered, convenient and intuitive control console is located in front of the operator. The levers are protected by a handy grab bar for use by the operator while driving the machine; the levers operate the control valve directly, guaranteeing a response that is always progressive and precise. The control panel also accommodates the connectors for auxiliary line 2. Enhanced operator safety thanks to levers that are easy to reach when driving the machine.



800 KG OPERATING LOAD

The high capacity skip with increased dimensions facilitates loading of sacks of salt, rocks and tree trunks, a useful feature when working with the mulcher or snow blowers.

The skip tipping function can be used only after the accessory has been hydraulically disconnected.



ATTACHMENT ARM FLOAT CONTROL

The arm "FLOAT function", with damped dropping, provides floating action of the arm in order to optimise the use of accessories. Safety is always guaranteed, also when the "FLOAT function" is selected to raise the accessory slowly with the operator on the ground.



The self-loading shovel reduces working times



"FLAT FACE" QUICK COUPLING

The Carry108hf mini-dumper can be equipped with attachments that are connected and replaced easily thanks to the use of the universal Multi-Tach system. Maximum visibility of the attachment is guaranteed; the "flat face" quick coupling system is easy to clean and it prevents contamination of the hydraulic system and the environment.



HYDRAULIC SYSTEM

The Carry 108hf is equipped with two auxiliary lines, the first of which is unidirectional with fixed flow rate of 28 l / min with maintained proportional control, the second auxiliary line is bi-directional with fixed flow rate of 28 l / min and dedicated proportional control. High performance and reliability are guaranteed during use of the many accessories.



High performances for even more professional uses

The Carry 108hf mini-dumper is a powerful and compact machine. Thanks to the four pumps and the high oil flow rate, with the possibility of Hi-Flow for the first speed, this being a differentiating factor with respect to model Carry 107, the machine can be equipped with new attachments in the form of a mulcher and snow blowers in addition to the standard accessories already available for the previous model. The equipment coupling/uncoupling system is quick and simple. Use of the float function with the mulcher and snow blowers assures the perfect result also in the presence of uneven and sloping ground. Use of the accessory is improved by the float control function with damped dropping. The accessory can be raised slowly also with the float function enabled.



MULCHER

This accessory is ideal for shredding grass and brushwood of small and medium diameter. Suitable for mowing river banks and road verges, even just for a few metres. The mowing height is adjustable, thus facilitating use of the attachment with several passes, which is especially useful when cutting brushwood with thicker stems. The Carry108hf mini-dumper is thus ideal also for agricultural applications, helping to free the ground from pruning residues and vine shoots.



MULCHER

Ideal for shredding grass and small and medium diameter brushwood



Ideal for removing snow from roads, paths, pavements, forecourts, and industrial sites



SNOW BLOWERS

The snow blower is designed to remove snow from roads, paths, pavements, forecourts, industrial sites, etc. Removes all types of snow unless it is too heavy (wet) or too icy. The travel speed of the attachment depends on the type and depth of snow.

The snow blower height is adjustable, thus facilitating repeat passes of the attachment, which is extremely useful to clear heaps of ice and snow progressively.

TECHNICAL FEATURES

Available engine	Honda GX390-AE petrol (8.7 kW / 3600 rpm)
Machine weight with skip / with self-loading shovel	538 / 603 kg
Machine weight with Mulcher	656 kg
Machine weight with Snow blowers	670 kg
Operating load	800 kg
Speed	2.3 / 4.5 km / h (1st / 2nd)
Width (fixed undercarriage)	760 mm
Skip capacity	0.37 m ³
Maximum allowed slope when empty (guided with pedestrian operator, where applicable)	20° - 36% (variable based on the configuration)
Maximum allowed slope when loaded (guided with pedestrian operator, where applicable)	10° - 18% (variable based on the configuration)
Working width Mulcher	780 mm
Maximum ground pressure Mulcher	210 bar
Working width Snow blowers	900 mm
Maximum ground pressure Snow blowers	210 bar

CARRY110

A WIDE RANGE OF ACCESSORIES

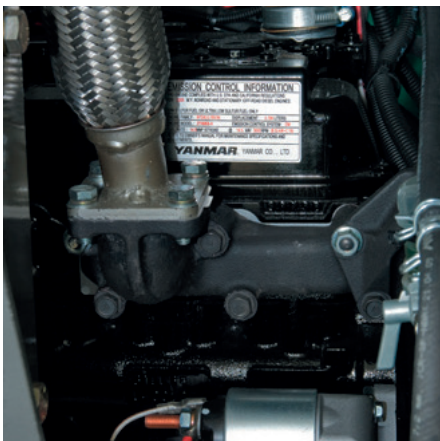
The CARRY 110 is equipped with an independent dual circuit hydrostatic transmission with variable displacement axial piston pump and dual displacement axial piston hydraulic engine for each track. The mechanical negative hydraulic parking brake ensures the machine remains locked even on steep slopes.

The ergonomic position of the hydraulic servo commands allows the operator to drive the machine safely on difficult terrain

Standard power take-off with one-way or two-way motion and flow rate increased to 26 L / min. It is possible to use it with accessories such as the concrete mixer or the multifunction arm kit, or with various hydraulic and manual tools such as hammer, pumps, and drill

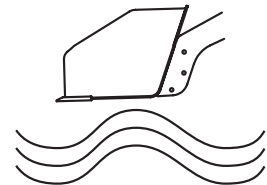


The central oscillating rollers provide a larger support surface and greater comfort compared to the fixed rollers.



YANMAR 14.4 KW ENGINE

The Carry 110 features a Yanmar TNM68 Tier 4 diesel 14.4 kW engine. The diesel fuel filter is equipped with a water separator and a cartridge air filter with clog indicator, which protect the engine from damage or premature wear.



FLOAT CONTROL OF ATTACHMENT ARM AVAILABLE AS AN OPTIONAL

The arm "FLOAT function", with damped dropping, provides floating action of the arm in order to optimise the use of accessories. Safety is always guaranteed, also when the "FLOAT function" is selected to raise the accessory slowly with the operator on the ground.

MINI-DUMPERS 400 / 2300 KG

VERSATILE FOR MANY USES

One of the Carry 110's strengths is its versatility, thanks to the range of accessories it can use such as: the skip for construction, the concrete mixer kit, the levelling blade, the unloading bed with trilateral unloading and bucket multifunction arm, the hammer, the sweeper, and the grass cutter.

IDEAL FOR STEEP SLOPES

Thanks to the length of the tracks and to the 4 roll support on both sides, the machine is able to easily and safely move loads even on impracticable ground at full load up to a maximum slope of 20°.

Standard power take-off
with one-way or two-way motion and
flow rate increased to 26 L / min

The self-loading shovel
reduces working time



OPERATOR AND COMFORT

The steering handle is mounted on dampers to reduce the vibration transmitted to the arms and upper body, ensuring total operator comfort. Even the structure of the spring-damping footplate prevents vibrations from being transmitted to the body. The footplate conveniently folds out of the way when the machine is operated from the ground to prevent accidental contact with the operator's legs. When the machine is driven with the operator on board, the footplate is automatically locked in the open position to protect it from being closed accidentally.

USER-FRIENDLY CONTROL CONSOLE

The control console is well placed and easily accessible. All function indicators are protected, however, the operator can see it well from any position. The electrical panel is separated from the dashboard.



SAFETY AND STANDARDS

In compliance with the existing regulations, safety is ensured by an engine with contained emissions mounted on dampers to minimise vibrations transmitted to the supporting frame, and by the engine compartment insulated with panelling to prevent accidental contact with hot or moving surfaces.



SKIP FOR CONSTRUCTION

The ideal solution for transporting and moving bulk materials in general such as demolition rubble, from confined spaces to the point of collection, building materials from the unloading or storage positions to points of use that cannot be reached with other types of vehicles. The operation can be performed also by just one operator.



SNOW BLOWERS

The snow blower is designed to remove snow from roads, paths, pavements, forecourts, industrial sites, etc. It can remove all types of snow unless it is too heavy (wet) or too icy. The travel speed of the attachment depends on the type and depth of snow. The attachment is equipped with a working height adjustment system, consisting of lateral slides (10) in order to allow the minimum ground clearance of the augers. The impeller with rotation speed of approximately 950 rpm discharges the snow, directing it from the chute to the required deposit position. The chute can be swivelled and it is hydraulically controlled by means of the dedicated lever on the control panel. The machine weight with the snow blower is 963 kg.

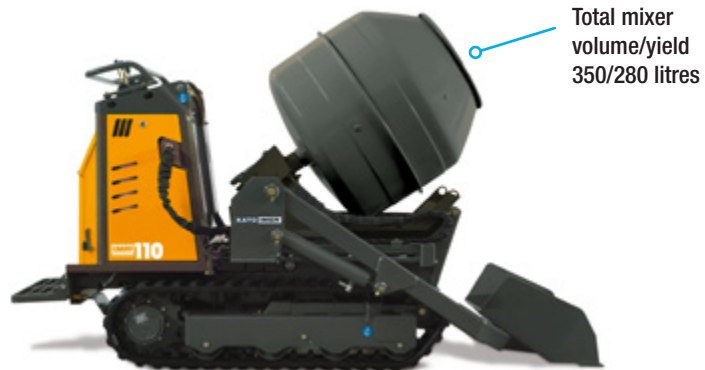


MULCHER

This accessory is ideal for shredding and chopping tall grass, straw, leaves, vine shoots and orchard prunings of small diameter. The cutting height can be regulated by means of a roller and adjustable front wheels. This adjustment allows the operator to configure the necessary cutting mode time by time and is extremely useful when copping brush with slightly thicker stems. The machine weight with the mulcher is 949 kg.

CONCRETE MIXER KIT

The accessory is perfect for mixing small batches of concrete for construction and transporting them to the place of use, also and especially on an occasional basis. Excellent for renovation projects calling for small quantities of concrete in various positions, also widely spaced. This attachment is versatile also for loading different materials, even when located in places of storage that are distant from one another. The mixing operation, which can be performed by just one operator, can proceed also during travel, resulting in significant savings in labour and execution times.



Internal dimensions of the unloading bed
1300 x 970 x 350 mm (D x W x H)

EVEN MORE VERSATILE

The version with bed has opening sides and allows the bed to be lifted on 3 sides.



TRILATERAL SKIP

The accessory is suitable for transporting building materials and bulky goods, transporting and unloading materials for consolidation of roads, with the facility for partial unloading in the required positions without needing positioning manoeuvres. This accessory is not suitable for transporting sand or fine compost.

MINI-DUMPERS 400 / 2300 KG

MULTITOOLS ARM KIT

The availability and interchangeability of a large number of accessories make Carry 110 a unique model for all types of construction site work.



ACCESSORIES AVAILABLE
Bucket, mulcher, demolition hammer.

DIMENSIONS
Arm with bucket: 1840 x 940 x 1393 mm (D x W x H),
unloading height of 1580 mm.

WEIGHT
The multitoools arm kit weighs 230 kg.
Carry 110 with multitoools arm and bucket (bucket weight 45 kg) is 965 kg - struck capacity 0.09 m³ / heaped capacity 0.1 m³;
Carry 110 with multitoools arm kit and mulcher (mulcher weight 88 kg) is 1000 kg;
Carry 110 with multitoools arm kit and demolition hammer (hammer weight 100 kg) is 1010 kg.



TECHNICAL FEATURES

Engine	Yanmar 3TNM68 3-cylinder water-cooled diesel (14.4 kW / 3600 rpm)
Machine weight with skip	830 kg
Machine weight with skip and shovel	900 kg
Machine weight with concrete mixer	870 kg
Machine weight with concrete mixer and shovel	968 kg
Machine weight with trilateral skip	930 kg
Machine weight with Mulcher	949 kg
Machine weight with Snow blowers	963 kg
Operating load of skip with shovel, trilateral skip, concrete mixer with shovel	1000 kg
Speed	2.6 / 4.0 km / h
Skip capacity	0.50 m ³
Maximum allowed slope when empty (guided with pedestrian operator, where applicable)	20° - 36% (variable based on the configuration)
Maximum allowed slope when loaded (guided with pedestrian operator, where applicable)	11° - 20% (variable based on the configuration)
Hydraulic power take-off	auxiliary standard mono/bidirectional
Concrete mixer kit volume	350 / 280 l (total / yield)
Trilateral unloading bed	1300 x 970 x 350 mm
Standard bucket width	940 mm
Bucket capacity	0.1 m ³
Working width Mulcher	780 mm
Working width Snow blowers	900 mm
Maximum ground pressure Mulcher and Snow blowers	210 bar

CARRY150

VERSATILITY FOR EVERY TYPE OF USE

Independent dual circuit hydrostatic transmission with variable displacement axial piston pump and dual displacement axial piston hydraulic engine for each track.



ROPS operator protection

Battery housing
under engine bonnet

MINI-DUMPERS 400 / 2300 KG

FRONT TIPPING SKIP WITH (WITHOUT) SELF-LOADING SHOVEL

Loading bucket with automatic opening-closing,
easily removable hatch.

The loading shovel, integrated into the bucket,
allows the operator to manoeuvre safely;
moving it fills the bucket completely.



TRILATERAL BED

Loading bed with hydraulic lifting on the three sides controlled by a single-lever distributor.

The elevated front tipping angle allows for ideal unloading even uphill.

Manually move the reference pin to select the type of unloading.



Bed inner dimensions
1500x1000x350 mm



KUBOTA 15.2 KW ENGINE

The engine, abundantly oversized for the machine features, is housed under a large bonnet that can be opened and allows easy and convenient access to all the transmission, engine, and hydraulic system parts for safe, proper maintenance.

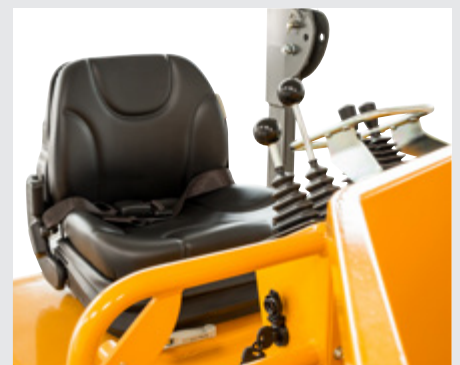


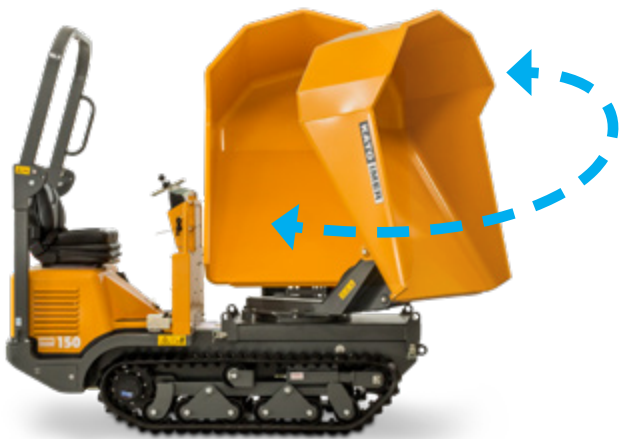
SIMPLE, INTUITIVE CONTROLS

Two electrically selectable speeds. Servo-assisted control hydrostatic pumps. Hydrostatic steering with the option of countersteering around the centre of the machine. Negative hydraulic mechanical parking brake.

DESIGNED WITH THE OPERATOR IN MIND

Operator seat in central rear position with damped, adjustable seat; access from both sides.





180° SWIVELLING SKIP

Bucket with 180° trilateral unloading with hydraulic lift and swivel. Locking valve on swivel. The rounded shapes are particularly suited to handling inert materials, soil and other resulting materials.



HI-TIP SKIP

Variable height front loading/unloading bucket. The scissor lifting structure that can be raised up to 1963 mm makes it possible to unload even onto large containers and lorries.

ROPS-FOPS operator protection

Unloading height 1963 mm



CONCRETE MIXER KIT

Concrete mixer with adjustable rotation speed to optimise the mixture. The barrel is lifted hydraulically for safe, complete unloading. The loading shovel, integrated into the mixing barrel lifting frame, allows it to be filled conveniently and safely.

TANK FOR LIQUIDS



UNDERCARRIAGE

Modular structure frame made of a drive unit installed on a single frame to receive various equipment. Oscillating roller undercarriage with rubber tracks suitable for high speeds. The considerable height from the ground allows the machine to move easily over unpaved roads and particularly rugged terrain.



MINI-DUMPERS 400 / 2300 KG

SKIP FOR CONSTRUCTION



SELF-LOADING SHOVEL



TRILATERAL BED



180° SWIVELLING SKIP



HI-TIP SKIP



CONCRETE MIXER WITH SELF-LOADING SHOVEL



TANK FOR LIQUIDS



TECHNICAL FEATURES

CARRY150 180° swivelling skip

Engine	Kubota D902 diesel water-cooled 898 cc 3-cylinder (15.2 kW / 3200 rpm)
Undercarriage weight	860 kg
Operating weight without shovel	1330 kg
Operating load	1500 kg
Loading capacity: struck / heaped (SAE standard)	0,63 / 0,82 / 0,37 m ³
Battery	12 V - 60 Ah
Transmission	hydrostatic
Variable capacity piston transmission pumps	2 x 35 L / min
Gear service pump	1 x 27 L / min
Max service operating pressure	170 bar
Hydraulic power take-off	20 L / min - 170 bar (std.)
Maximum speed	4 / 7.5 km / h
Max allowed slope when empty	32° - 62% (variable based on the configuration)
Max allowed slope when loaded	32° - 62% (variable based on the configuration)
Steering system	independent tracks
Rubber track tensioning	spring + adjustment screw type
Track width	230 mm
Empty / loaded specific ground pressure	0.20 / 0.47 kg / cm ²
Fuel tank capacity	24 L
Hydraulic oil tank capacity	25 L

CARRY230

ALL-TERRAIN CRAWLER CARRIER

Crawler dumper with closed circuit hydrostatic transmission, variable displacement axial piston pumps and a dual speed axial piston motor for each track.

The Carry 230 dumper is equipped with a TIER4 engine with a rated output of 18.5 kW at 2300 rpm.

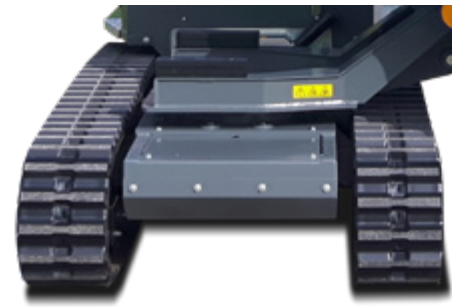


VERSATILE AND POWERFUL

The Carry 230 dumper has two electrically selectable speeds via with a button on the joystick. The mechanical parking brake features negative hydraulic control for stops on steep gradients; application of the brake inhibits the levers pilot signal.



Ground clearance of 250 mm makes it possible to negotiate dirt roads and rough terrain with ease



LONG LIFE TRACKED UNDERCARRIAGE

The tracked undercarriage is composed of oscillating rollers with taper roller bearings and long life seals; combined with the rubber crawler shoes, these characteristics allow the dumper to reach high travel speeds. The generous ground clearance makes it possible to negotiate dirt roads and rough terrain with ease.



TRACKS

Rubber crawler shoes 270 mm wide and 2300 mm in length ensure stability and perfect driving control. The machine has a hydrostatic independent track type steering system.



INTUITIVE CONTROLS

The controls are fully servo-assisted with a joystick located on the driving seat armrests, just like in the higher category models.

EASY MAINTENANCE KUBOTA 18.5 KW ENGINE

The KUBOTA V1505-E4B, TIER4 diesel engine is housed under a large bonnet that allows easy and convenient access to all components of the transmission and the hydraulic circuit for easy servicing of the machine.





180° SWIVELLING SKIP

The bucket features high load capacity 0.75 / 1.17 m³ (struck / heaped); the 180° swivel system with hydraulic lifting and rotation is operated by counteracting cylinders. The geometry of the skip is ideal for handling aggregate, soil and other excavation spoil.

HYDRAULIC POWER TAKE-OFF

The machine can be fitted / retrofitted with a 32 l / min 170 bar hydraulic power take-off.





SKIP WITH (WITHOUT) SELF-LOADING SHOVEL

The bucket with loading shovel mounted on the bucket allows manoeuvres in complete safety; movement of shovel allows the bucket to be filled completely.



OPTIONAL

The self-loading shovel is available as an optional accessory.

TECHNICAL FEATURES

CARRY230 180° swivelling skip

Engine	Kubota V1505-E4B 4-cylinder water-cooled 1498 cc diesel (18.5 kW / 2300 rpm)
Max torque at 1700 rpm	8.01 daNm
Operating weight	2200 kg
Operating load	2300 kg
Load capacity: struck / heaped / liquid (SAE standard)	0.90 / 1.17 / 0.72 m ³
Transmission	hydrostatic
Variable displacement piston transmission pumps	2 x 41 l / min
Gear service pump	1 x 24 l / min
Max travel operating pressure	350 bar
Max services operating pressure	180 bar
Max speed	3.7 / 7.5 km / h
Max allowed slope when loaded	37° - 76%
Independent track steering system	hydrostatic
Rubber track tensioning	grease
Track width	270 mm
Empty / loaded specific ground pressure	0.308 / 0.588 kg / cm ²
Fuel tank capacity	26 l
Hydraulic reservoir capacity	20.5 l

features

	105	107	107HT
FLOW RATE			
Operating load	500 kg	700 kg	700 kg
FEATURES AND DIMENSIONS			
Width (fixed undercarriage)	690 mm	760 mm	760 mm
Width (variable gauge undercarriage)	-	760 / 1060 mm	760 / 1060 mm
Undercarriage length	1215 mm	1400 mm	1400 mm
Length with skip/shovel	1586 mm	1820 / 2480 mm	1820 / 2590 mm
Height to controls	1132 mm	1320 mm	1320 mm
Minimum ground clearance	75 mm	100 mm	100 mm
Crawler tensioning system	spring	spring	spring
Rollers per side	3	4	4
Rubber shoes width	180 mm	180 mm	180 mm
Track length	1120 mm	1250 mm	1250 mm
ENGINE			
Engine options - Power rating	Honda GX200 petrol (4.7 kW / 3600 rpm)	Honda GX270 petrol (6.3 kW / 3600 rpm)	Honda GX270 petrol (6.3 kW / 3600 rpm)
	-	Honda GX270-AE petrol (6.3 kW / 3600 rpm)	Honda GX270-AE petrol (6.3 kW / 3600 rpm)
	-	Honda GX390-AE petrol (8.7 kW / 3600 rpm)	Honda GX390-AE petrol (8.7 kW / 3600 rpm)
	-	Yanmar L100V6-AE diesel (6.8 kW / 3600 rpm)	Yanmar L100V6-AE diesel (6.8 kW / 3600 rpm)
1st-2nd travel speed	2.5 km / h	2.3 / 3.2 km / h (1° / 2°)	2.3 / 3.2 km / h (1° / 2°)
Maximum allowed slope when empty (guided with pedestrian operator, where applicable)	20° - 36%	20° - 36%	15° - 26%
Maximum allowed slope when fully loaded (guided with pedestrian operator, where applicable)	11° - 20%	11° - 20%	7° - 12%
HYDRAULIC SYSTEM			
Controls	DCS (Direct Control System)	DCS (Direct Control System)	DCS (Direct Control System)
Variable displacement pumps	-	-	-
Variable displacement set pressure	-	-	-
Fixed displacement gear pumps	10 L / min x 2 + 7.5 L / min	14 L / min x 3	14 L / min x 3
Set pressure	13.7 MPa (140 kgf / cm ²)	14.6 MPa (150 kgf / cm ²)	14.6 MPa (150 kgf / cm ²)
Hydraulic tank capacity	15 L	17 L	17 L
System capacity	-	22 L	22 L
Auxiliary one-way power take-off (Std)	-	14 L / min - 13.7 MPa (140 kgf / cm ²)	14 L / min - 13.7 MPa (140 kgf / cm ²)
Auxiliary one-way Hi Flow power take-off (Opt)	-	26 L / min - 13.7 MPa (140 kgf / cm ²)	26 L / min - 13.7 MPa (140 kgf / cm ²)
Aux. two-way power take-off (Std)	-	-	-
Traction motor	Orbital	Orbital	Orbital
ELECTRICAL SYSTEM			
Batteries	-	12V - 60 Ah	12V - 60 Ah
ACCESSORIES			
Skip capacity	0.22 m ³	0.33 m ³	0.33 m ³
Self-loading shovel	double arm	double arm	double arm
Load bed (closed sides) dim. W x D x H	900 x 620 x 200 mm	990 x 790 x 200 mm	990 x 790 x 200 mm
Load bed (open sides) dim. W x D	1120 x 1150 mm	1240 x 1290 mm	1240 x 1290 mm
Trilateral unloading bed	-	-	-
Concrete mixer kit total volume	-	250 L	250 L
Concrete mixer kit total yield	-	190 L	190 L
Self-loading shovel for concrete mixer	-	opt with concrete mixer	opt with concrete mixer
Levelling blade angle	-	30°	30°
Mulcher, working width	-	-	-
Mulcher, maximum working pressure	-	-	-
Snow blowers, working width	-	-	-
Snow blowers, maximum working pressure	-	-	-
WEIGHT			
Basic machine without accessories	240 kg	430 kg	430 kg
Plus/E petrol-engine machine	-	430 / 495 kg	430 / 495 kg
13HP AE Plus/E petrol-engine machine	-	450 / 515 kg	450 / 515 kg
AE Plus/E diesel-engine machine	-	485 / 550 kg	485 / 550 kg
Basic AE diesel engine machine	-	485 kg	485 kg
Machine with skip	290 kg	495 kg	675 kg
Machine with skip and shovel	345 kg	560 kg	740 kg
Machine with concrete mixer	-	550 kg (petrol)	-
Machine with concrete mixer and shovel	-	600 kg (petrol)	-
Mulcher	-	-	-
Machine weight with Mulcher	-	-	-
Snow blowers	-	-	-
Machine weight with Snow blowers	-	-	-
Arm kit without shovel	-	-	-
Skip / with self-loading shovel	50 / 105 kg	65 / 130 kg	65 / 130 kg
Skip-shovel operating weight (excluding operator)	-	-	-
Concrete mixer kit / with self-loading shovel	-	120 / 170 kg	120 / 170 kg
Hi-Tip kit with skip and self-loading shovel	-	-	295 kg
Bed with opening sides	65 kg	80 kg	80 kg
Trilateral unloading bed	-	-	-
Weight of Multitools arm kit	-	-	-
Bucket weight for Multitools arm kit	-	-	-
Mulcher weight for Multitools arm kit	-	-	-
Demolition hammer weight for Multitools arm kit	-	-	-

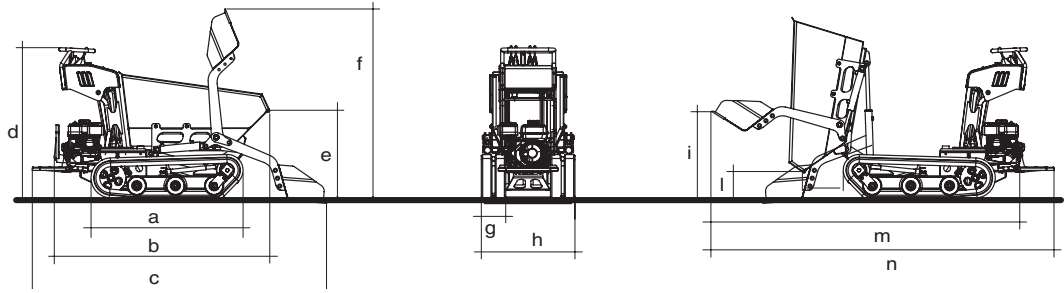
* the data shown are the most significant, for more details refer to the manual.

MINI-DUMPERS 400 / 2300 KG

	108HF	110	150	230
FLOW RATE				
Operating load	800 kg	1000 kg	1500 kg (1000 kg hi-tip)	2300 kg
FEATURES AND DIMENSIONS				
Width (fixed undercarriage)	760 mm	900 mm	1060 mm	1300 mm
Width (variable gauge undercarriage)	-	-	-	-
Undercarriage length	1215 mm	1650 mm	1760 mm	2937 mm
Length with skip/shovel	1586 mm	1915 / 2670 mm	3160 / 2585 mm	3233 mm
Height to controls	1132 mm	1320 mm	1450 mm	-
Minimum ground clearance	75 mm	160 mm	240 mm	250 mm
Crawler tensioning system	spring	spring	spring	grease
Rollers per side	4	4	6	6
Rubber shoes width	180 mm	200 mm	230 mm	270 mm
Track length	1250 mm	1450 mm	1100 mm	2300 mm
ENGINE				
Engine options - Power rating	-	Yanmar TNM68 diesel (14.4 kW / 3600 rpm) ISO 3046	Kubota D902 water-cooled 898 cc 3-cylinder diesel (15.2 kW / 3200 rpm)	Kubota V1505-E4B 4-cylinder water-cooled 1498 cc diesel (18.5 kW / 2300 rpm)
	-	-	-	-
	Honda GX390-AE petrol (8.7 kW / 3600 rpm)	-	-	-
	-	-	-	-
1st-2nd travel speed	2.3 / 4.5 km / h (1° / 2°)	2.6 / 4 km / h (1st / 2nd)	4 / 7.5 km / h	3.7 / 7.5 km / h
Maximum allowed slope when empty (guided with pedestrian operator, where applicable)	20° - 36%	20° - 36%	32° - 62%	-
Maximum allowed slope when fully loaded (guided with pedestrian operator, where applicable)	10° - 18%	11° - 20%	32° - 62%	37° - 76%
HYDRAULIC SYSTEM				
Controls	DCS (Direct Control System)	Servo-assisted hydraulic control	Servo-assisted hydraulic control	Servo-assisted hydraulic control
Variable displacement pumps	-	2 x 25.2 L / min	(piston pump) 2 x 35 L / min	2 x 41 L / min
Variable displacement set pressure	-	21.6 MPa (220 kgf / cm ²)	27 MPa (275 kgf / cm ²)	35.0 MPa (357 kgf / cm ²)
Fixed displacement gear pumps	14 L / min x 4	16.2 + 12.2 L / min	(gear service pump) 1 x 27 L / min	1 x 24 L / min
Set pressure	14.6 MPa (150 kgf / cm ²)	2 x 16.7 MPa (170 kgf / cm ²)	17 MPa (173 kgf / cm ²)	18.0 MPa (184 kgf / cm ²)
Hydraulic tank capacity	17 L	19 L	25 L	20.5 L
System capacity	22 L	25 L	-	-
Auxiliary one-way power take-off (Std)	28 L / min - 13.7 MPa (140 kgf / cm ²)	-	-	-
Auxiliary one-way Hi Flow power take-off (Opt)	-	-	20 L / min - 170 bar (std.)	32 L / min - 170 bar (opt.)
Aux. two-way power take-off (Std)	28 L / min - 13.7 MPa (140 kgf / cm ²)	26 L / min - 14.7 MPa (150 kgf / cm ²)	-	-
Traction motor	Orbital	Wheel drive (axial motor + reduction gear) with brake motor (parking)	Wheel drive (axial motor + reduction gear) with brake motor (parking)	Wheel drive (axial motor + reduction gear) with brake motor (parking)
ELECTRICAL SYSTEM				
Batteries	12V - 60 Ah	12V - 60 Ah	12V - 60 Ah	12V - 60 Ah
ACCESSORIES				
Skip capacity	0.37 m ³	0.42 (0.50) m ³	0.63 / 0.82 / 0.37 m ³ struck / heaped / liquid (norma SAE)	0.90 / 1.17 / 0.72 m ³ struck / heaped (SAE standard)
Self-loading shovel	double arm	double arm	double arm	double arm
Load bed (closed sides) dim. W x D x H	990 x 790 x 200 mm	1500 x 1000 x 350 mm	1550 x 1080 x 425 mm	-
Load bed (open sides) dim. W x D	1240 x 1290 mm	-	-	-
Trilateral unloading bed	-	1300 x 970 x 350 mm	-	-
Concrete mixer kit total volume	250 L	350 L	360 L	-
Concrete mixer kit total yield	190 L	280 L	290 L	-
Self-loading shovel for concrete mixer	opt with concrete mixer	opt with concrete mixer	with concrete mixer	-
Levelling blade angle	30°	-	-	-
Mulcher, working width	780 mm	780 mm	-	-
Mulcher, maximum working pressure	210 bar	210 bar	-	-
Snow blowers, working width	900 mm	900 mm	-	-
Snow blowers, maximum working pressure	210 bar	210 bar	-	-
WEIGHT				
Basic machine without accessories	430 kg	690 kg	860 kg	1700 kg
Plus/E petrol-engine machine	-	-	-	-
13HP AE Plus/E petrol-engine machine	-	-	-	-
AE Plus/E diesel-engine machine	-	-	-	-
Basic AE diesel engine machine	-	690 kg	-	-
Machine with skip	538 kg	830 kg	-	-
Machine with skip and shovel	603 kg	900 kg	-	-
Machine with concrete mixer	-	870 kg	-	-
Machine with concrete mixer and shovel	-	968 kg	-	-
Mulcher	76 kg	76 kg	-	-
Machine weight with Mulcher	656 kg	949 kg	-	-
Snow blowers	90 kg	90 kg / 88 kg (multitools arm kit)	-	-
Machine weight with Snow blowers	670 kg	963 kg	-	-
Arm kit without shovel	42 kg	43 kg	-	-
skip / with self-loading shovel	65 / 130 kg	140 / 210 kg	-	-
Skip-shovel operating weight (excluding operator)	-	-	1280 / 1135 kg (with / without shovel)	2200 / 2500 kg
Concrete mixer kit / with self-loading shovel	120 / 170 kg	178 / 278 kg	320 kg	-
Hi-Tip kit with skip and self-loading shovel	-	-	1560 / 1420 kg (with / without shovel)	-
Bed with opening sides	80 kg	240 kg	-	-
Trilateral unloading bed	-	-	320 kg	-
Weight of Multitools arm kit	-	230 kg	-	-
Bucket weight for Multitools arm kit	-	45 kg	-	-
Mulcher weight for Multitools arm kit	-	88 kg	-	-
Demolition hammer weight for Multitools arm kit	-	100 kg	-	-

CARRY105

skip with shovel

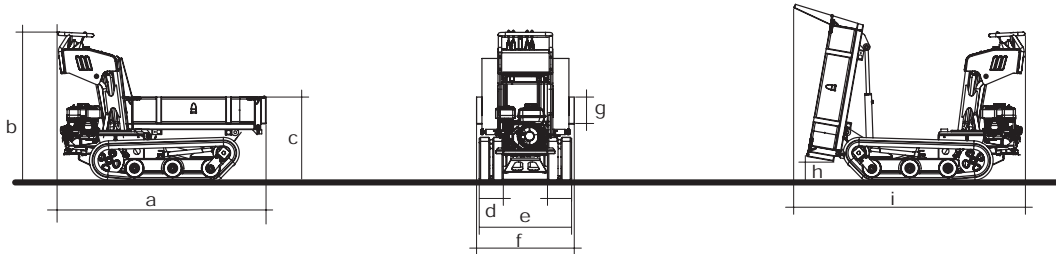


DIMENSIONS (mm)

a	b	c	d	e	f	g	h	i	l	m	n
1120	1589	2167	1132	674	1433	180	690	671	220	2371	2533

CARRY105

bed with opening sides

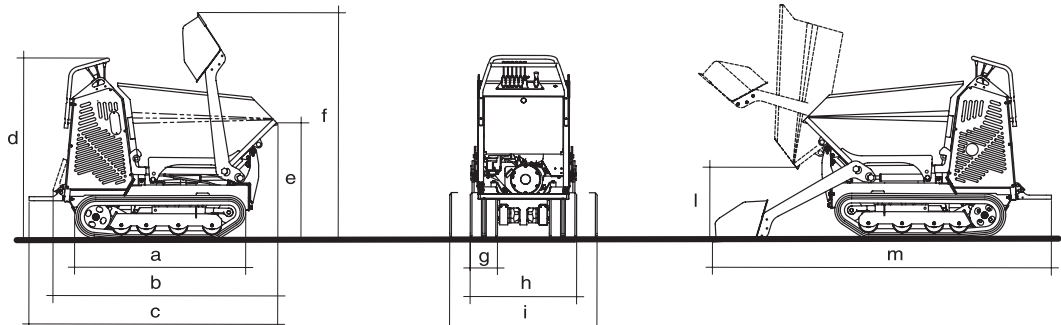


DIMENSIONS (mm)

a	b	c	d	e	f	g	h	i
1538	1124	641	180	690	780	200	185	1703

CARRY107

skip with shovel

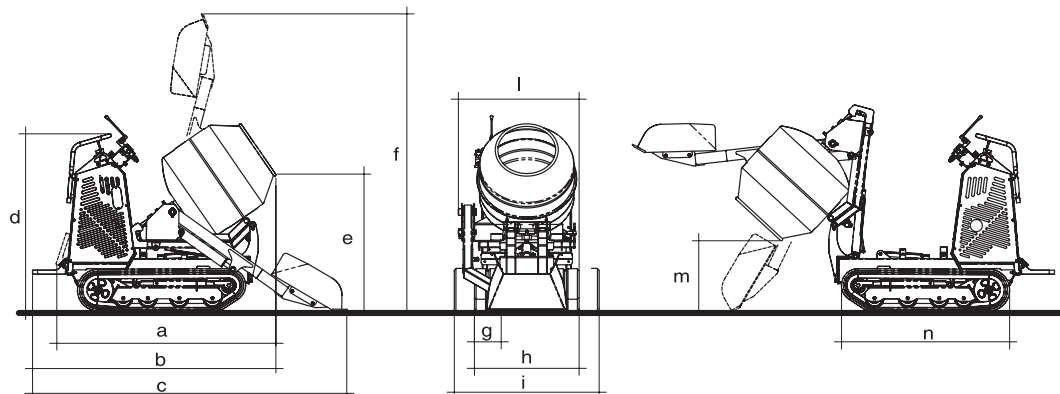


DIMENSIONS (mm)

a	b	c	d	e	f	g	h	i	l	m
1250	1647	1824	1336	863	1671	180	760	1060	519	2484

CARRY107

concrete mixer with shovel

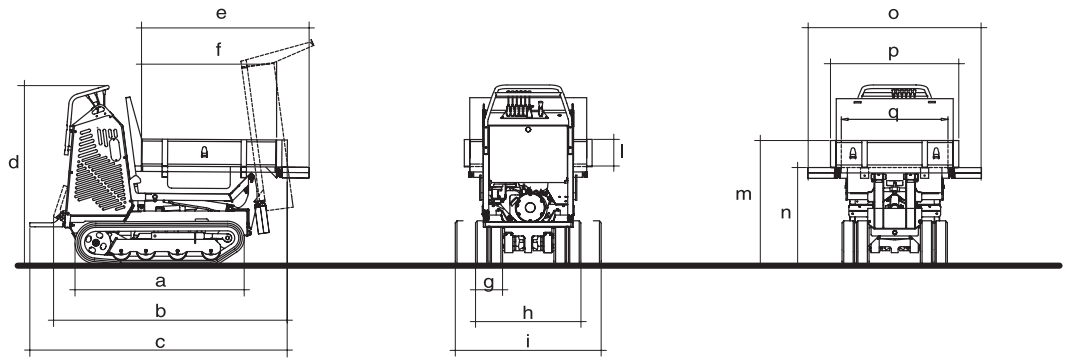


DIMENSIONS (mm)

a	b	c	d	e	f	g	h	i	l	m	n
1633	1814	2346	1336	1036	2230	180	760	1060	900	539	1250

CARRY107

bed with opening sides

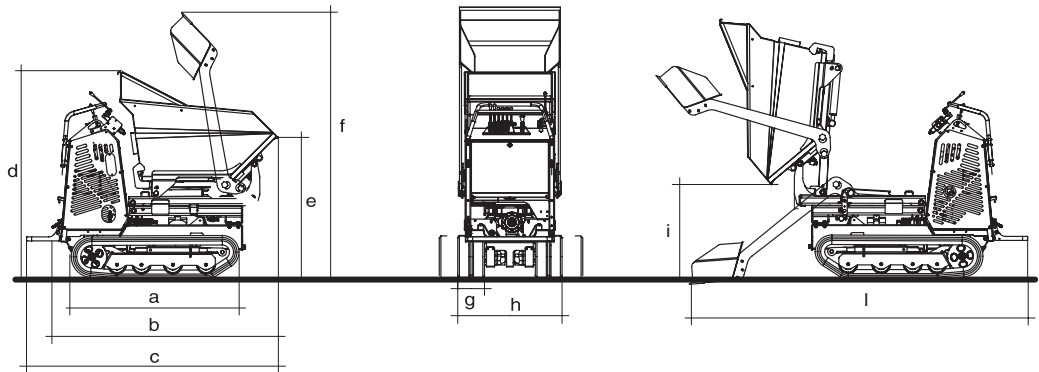


DIMENSIONS (mm)

a	b	c	d	e	f	g	h	i	l	m	n	o	p	q
1250	1730	1906	1336	1240	1000	180	760	1060	200	925	724	1290	960	790

CARRY107ht

skip with shovel

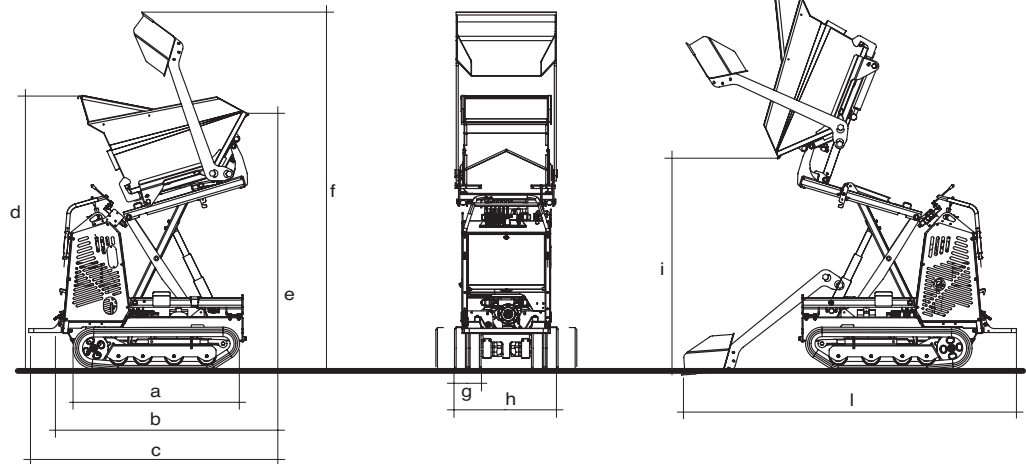


DIMENSIONS (mm)

a	b	c	d	e	f	g	h	i	l
1250	1647	1878	1552	1060	2036	180	760 / 1060	707	2590

CARRY107ht

raised skip with shovel

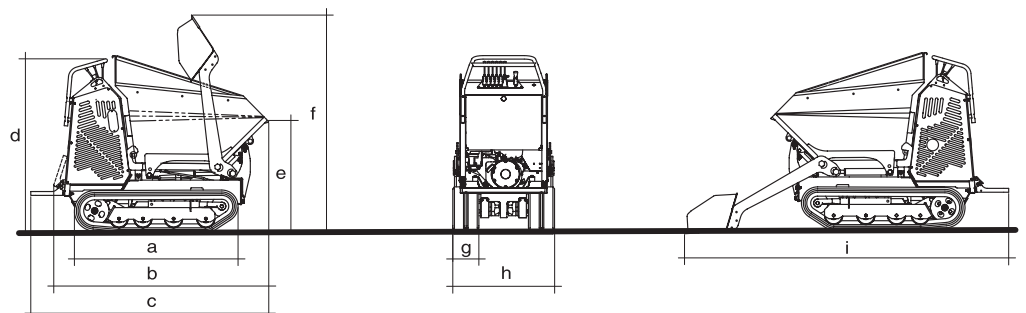


DIMENSIONS (mm)

a	b	c	d	e	f	g	h	i	l
1250	1647	1824	2070	1940	2702	180	760 / 1060	1600	2305

CARRY108hf

skip with shovel



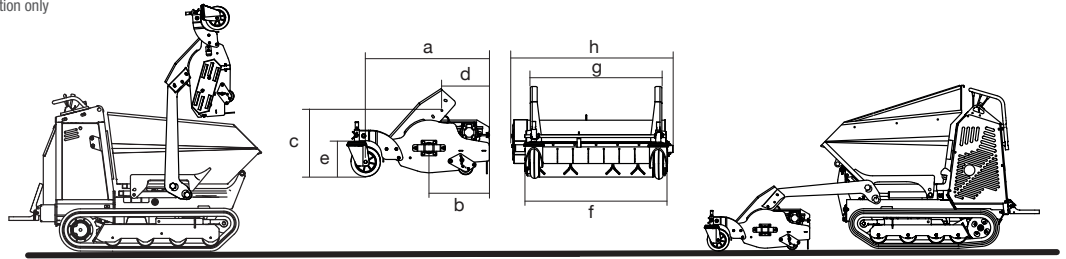
DIMENSIONS (mm)

a	b	c	d	e	f	g	h	i
1250	1647	1824	2070	1940	2702	180	760	2484

CARRY108hf - CARRY110

skip with mulcher

The drawings are guideline and provided for illustration only



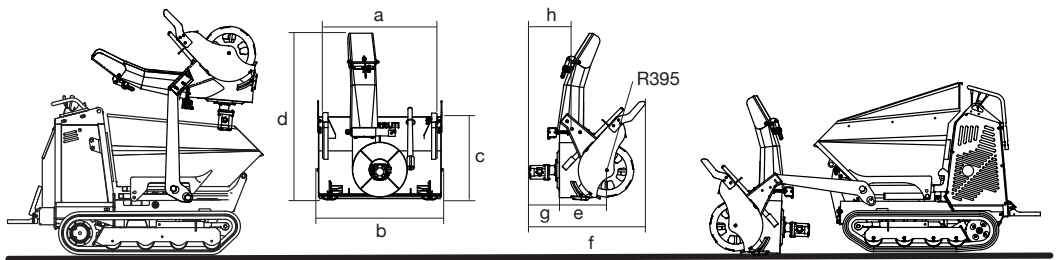
DIMENSIONS (mm)

a	b	c	d	e	f	g	h
812	370	403	291	189	800	765	900

CARRY108hf - CARRY110

skip with snow blowers

The drawings are guideline and provided for illustration only

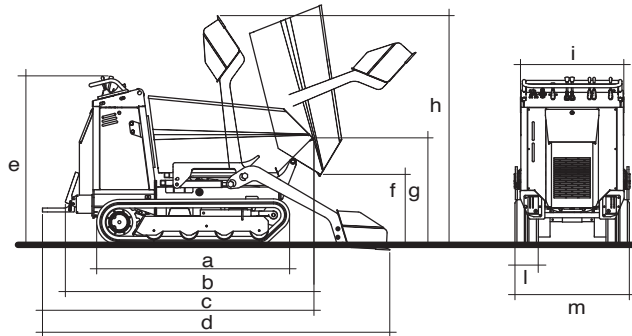


DIMENSIONS (mm)

a	b	c	d	e	f	g	h
766	905	603	1220	351	851	220	313

CARRY110

skip with shovel

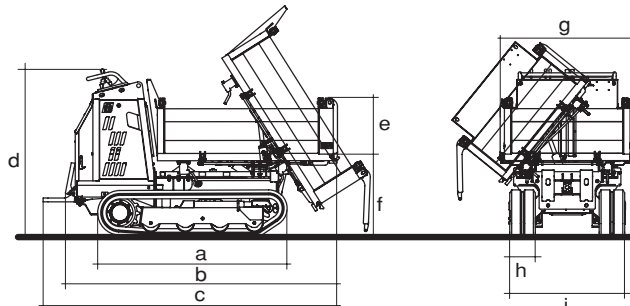


DIMENSIONS (mm)

a	b	c	d	e	f	g	h	i	l	m
1485	1915	2090	2670	1320	550	830	1795	790	200	900

CARRY110

trilateral skip

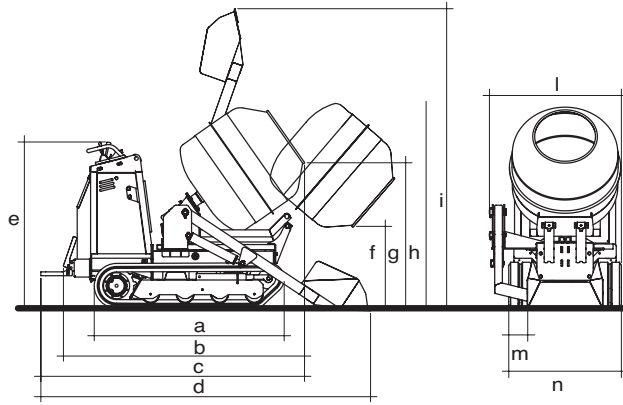


DIMENSIONS (mm)

a	b	c	d	e	f	g	h	i
1485	2125	2300	1320	350	655	1050	200	900

CARRY110

concrete mixer with shovel

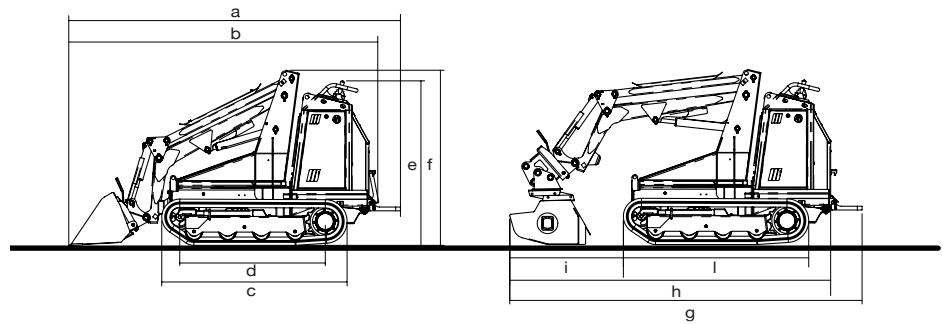


DIMENSIONS (mm)

a	b	c	d	e	f	g	h	i	l	m	n
1485	1880	2055	2565	1320	660	1155	1580	2345	1040	200	900

CARRY110

multitools arm
bucket - mulcher

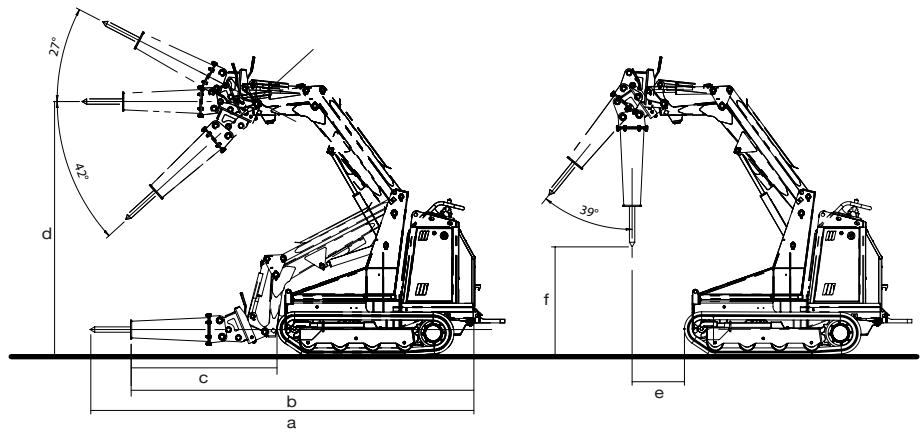


DIMENSIONS (mm)

a	b	c	d	e	f	g	h	i	l
2655	2473	1485	1165	1316	1401	2820	2568	909	1485

CARRY110

multitools arm
demolition hammer

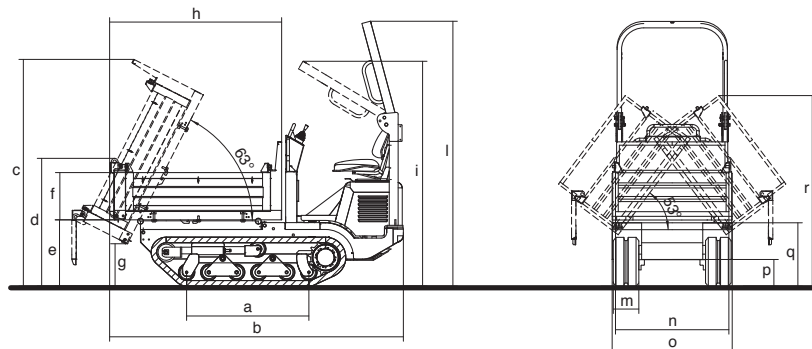


DIMENSIONS (mm)

a	b	c	d	e	f
3263	2923	1234	2136	440	915

CARRY150

trilateral bed

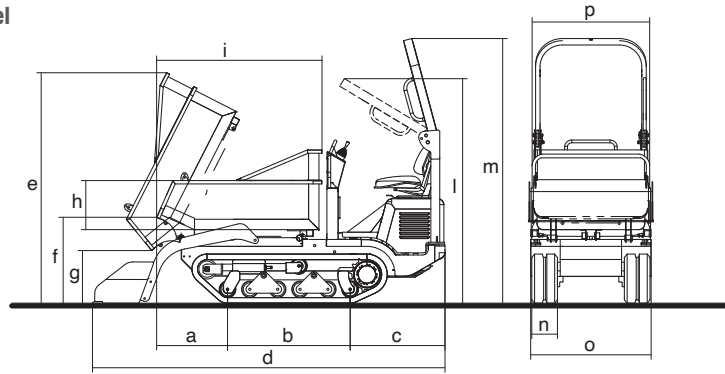


DIMENSIONS (mm)

a	b	c	d	e	f	g	h	i	l	m	n	o	p	q	r
1100	2640	2040	1150	596	425	380	1547	2022	2372	230	1020	1080	240	570	1720

CARRY150

skip for construction with self-loading shovel

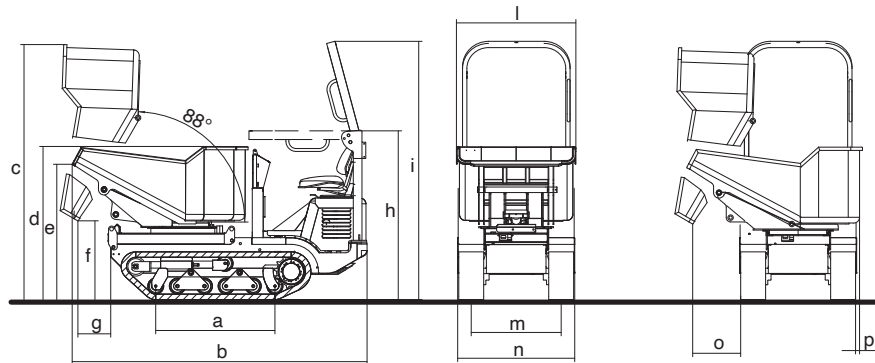


DIMENSIONS (mm)

a	b	c	d	e	f	g	h	i	l	m	n	o	p
635	1100	850	3160	2070	770	472	440	1482	2022	2372	230	1060	1054

CARRY150

180° swivelling skip

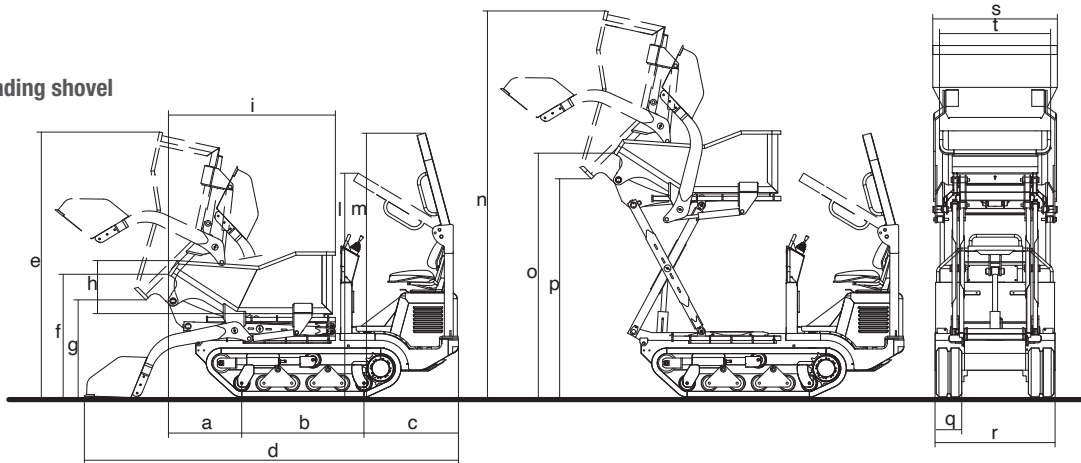


DIMENSIONS (mm)

a	b	c	d	e	f	g	h	i	l	m	n	o	p
1100	2720	2352	1412	1248	726	303	1556	2382	1102	830	1060	443	40

CARRY150

hi-tip skip with self-loading shovel

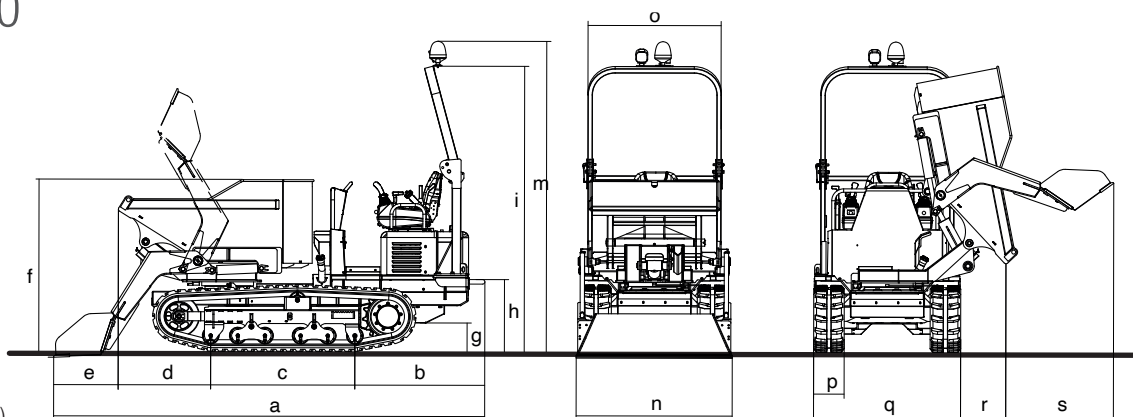


DIMENSIONS (mm)

a	b	c	d	e	f	g	h	i	l	m	n	o	p	q	r	s	t
659	1100	850	3365	2383	1104	873	477	1500	2022	2372	3472	2193	1963	230	1060	1121	1000

CARRY230

180° swivelling skip

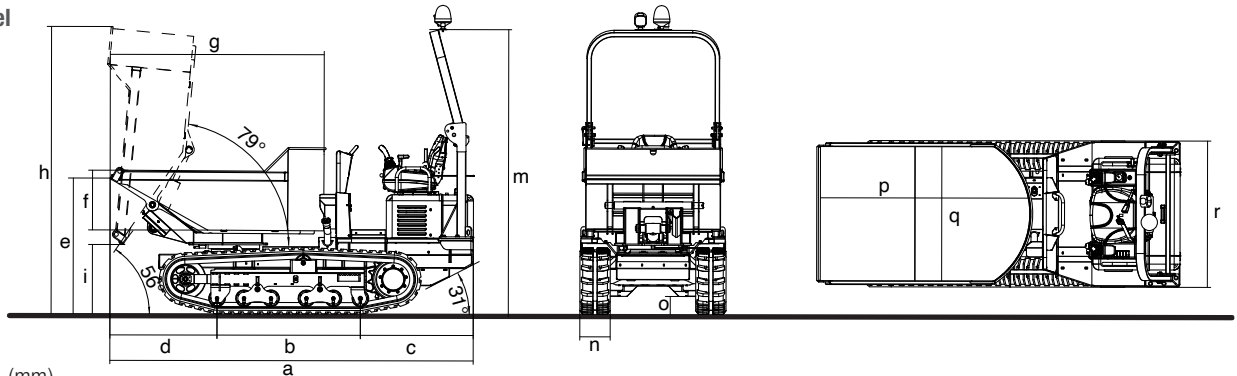


DIMENSIONS (mm)

a	b	c	d	e	f	g	h	i	m	n	o	p	q	r	s
3812	1150	1275	818	570	1517	252	637	2523	2744	1380	1177	270	1300	400	953

CARRY230

skip with shovel



DIMENSIONS (mm)

a	b	c	d	e	f	g	h	i	m	n	o	p	q	r
3232	1275	1004	953	1204	531	1903	2550	613	2530	270	159	1863	1192	1300

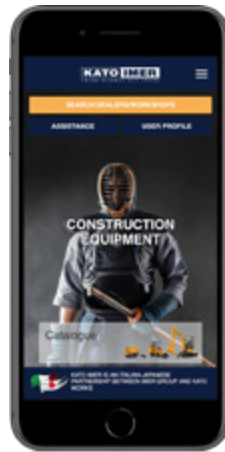
equipment

	105	107	107ht	108hf	110	150	230
Skip prearranged for installation of self-loading shovel	std	std	std	std	std	opt	opt
Skip with rounded corners to facilitate material unloading	std	std	std	std	std	std	std
Wheel bearings with dust shield	std	std	std	std	-	std	std
Hardened drive sprockets for extended lifetime	std	std	std	std	std	std	std
Self Tension Crawler System (STCS)	std	std	std	std	std	std	std
Shovel arms with double attachment yoke	-	std	std	std	std	std	-
Quick hydraulic couplers to disconnect the shovel system	-	std	std	std	std	-	-
Tipping accessories support frame; rapid accessories changeover	-	std	std	std	std	std	-
Rugged accessories fixing joint equipped with adjustment system	-	std	std	std	-	-	-
Steel bushings with grease nipples at pivot points	-	std	std	std	std	std	std
Removable engine bonnet for improved access for checks, servicing and refuelling	-	std	std	std	std	std	std
Standard power take-off, 14 l / min flow rate	-	std	std	-	-	std	-
Standard power take-off, 20 l / min flow rate	-	-	-	-	-	std	-
Standard power take-off, 26 l / min flow rate	-	-	-	-	std	-	-
Standard power take-off, 28 l / min flow rate	-	-	-	std	-	-	-
Standard power take-off, 32 l / min flow rate	-	-	-	-	-	-	std
Bi-directional/mono-directional power take-off for demolition hammer	-	-	-	std	std	std	-
Exhaust with elbow for discharge towards the ground	-	std	std	std	std	std	std
Cartridge air filter with visual clog indicator	-	-	-	-	std	std	std
Combined water/oil cooler	-	-	-	-	std	std	opt
Self-loading shovel kit	opt	opt	opt	opt	-	opt	opt
Foldable footplate	opt	std	std	std	-	-	-
Accessory lifting components kit	-	opt	opt	opt	opt	-	-
Specific equipment for removing accessories in the absence of suitable lifting systems	-	opt	opt	opt	opt	-	-
Hour meter-rev counter kit	-	std	std	std	-	std	std
26 l / min Hi-Flow kit for demolition hammer, water drain pump, hydraulic hole diggers. Can be used exclusively with machine stationary	-	opt	opt	-	-	std	-
Concrete mixer kit with or without self-loading shovel	-	opt	opt	opt	opt	opt	-
760 - 1060 mm extendible undercarriage	-	opt	std	opt	-	-	-
Skip for construction with or without self-loading shovel	-	-	-	-	-	opt	opt
Bed with fold-down sides	opt	opt	opt	opt	-	opt	-
Bed with three opening sides and trilateral unloading	-	-	-	-	opt	opt	-
Trilateral skip	-	-	-	-	-	-	std



Download the latest version
of this catalogue.

Official App



KATO IMER S.p.A.
53037 San Gimignano (SI) Loc. Cusona - Italy
Telephone: +39 0577 951 21 - Fax: +39 0577 982 400
info@katoimer.com | www.katoimer.com